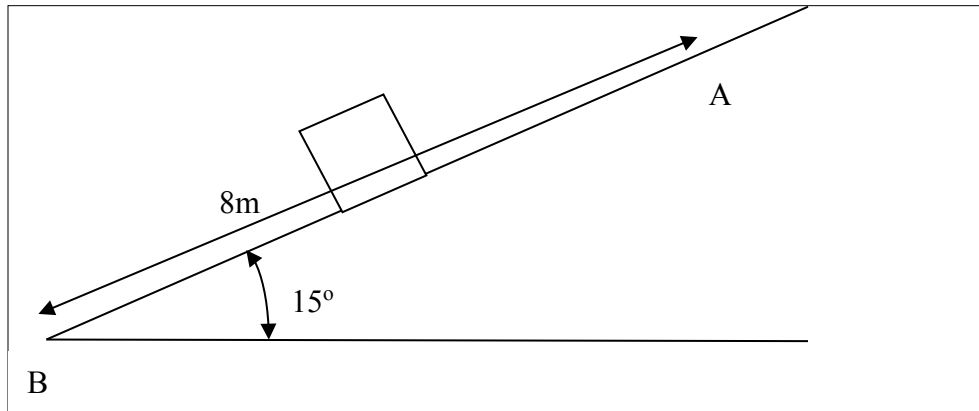


TOPIC

Engineering Mechanics (Statics and Dynamics) – Section VII – Question 11

**QUESTION**

A 40 kg box falls down an incline of 15° . The box is pushed down the incline with an initial velocity of 5 m/s . If the coefficient of friction is 0.3 , the velocity in m/s at the bottom of the incline most nearly is

- (A) 4.488
- (B) 5.000
- (C) 5.463
- (D) 20.15

HINT

Equate the work done on the box and the change in the kinetic energy.

CONTRIBUTOR

Autar Kaw