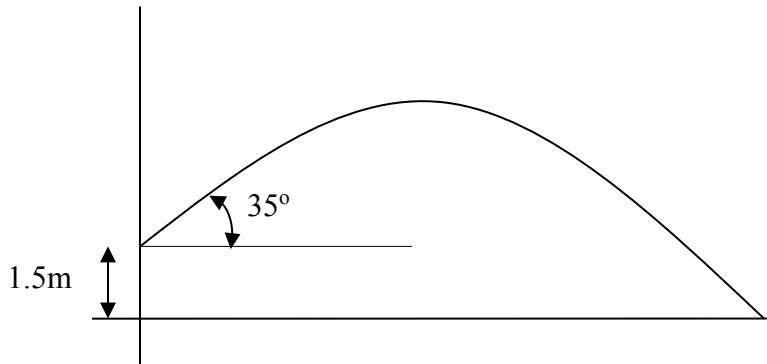


TOPIC

Engineering Mechanics (Statics and Dynamics) – Section VII – Question 10

QUESTION

A baseball player throws the ball in a projectile at an angle of 35° with an initial velocity of 110 km/h. If his hand is 1.5m above the ground, the distance in meters the ball will travel before it hits the ground most nearly is



- (A) 2.093
- (B) 89.46
- (C) 91.54
- (D) 111.8

CONTRIBUTOR

Autar Kaw