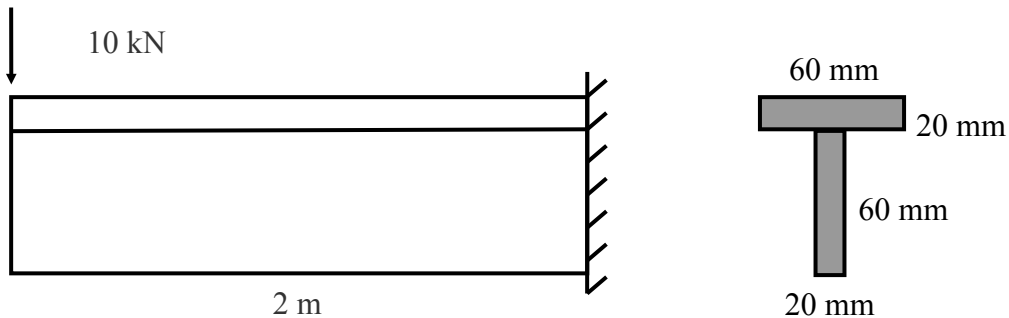


TOPIC

Strength of Materials – Section VIII – Question 5

QUESTION

A cantilever beam is loaded with a force of 10 kN and has a cross-section as shown. The maximum tensile stress in MPa in the beam most nearly is



- (A) 4.16
- (B) 441
- (C) 588
- (D) 735

HINT

The second moment of area of the cross section is $1.36 \times 10^{-6} m^4$

The top of the beam is in tension.

The centroid is 50 mm up from the bottom of the cross section

The maximum moment is 20 kN-m.

CONTRIBUTOR

Glen Besterfield